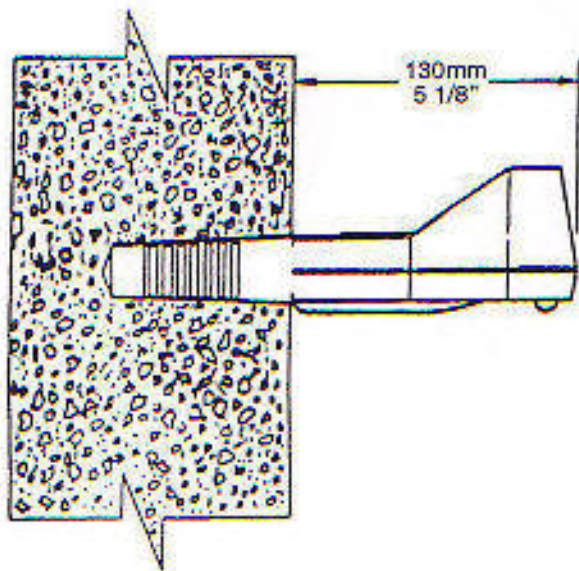
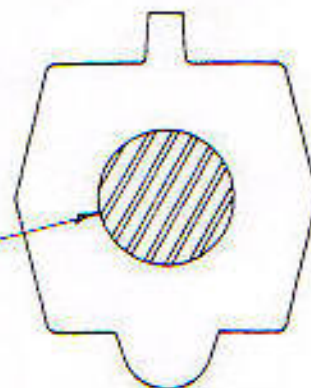


**Copolymer Polypropylene Plastic**

13mm 1/2" GRADE 60 STEEL REINFORCEMENT



MEETS: ASTM-C-478  
ASTM-D-4101  
ASTM-A-615  
AASHTO-M-199

